



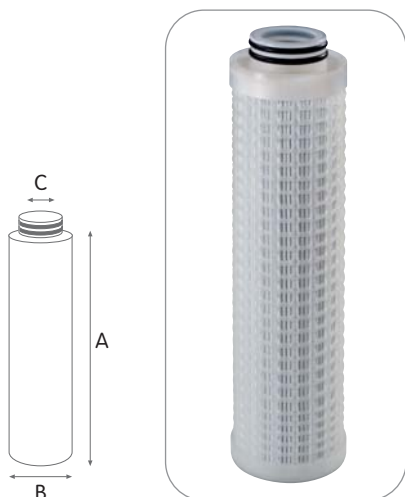
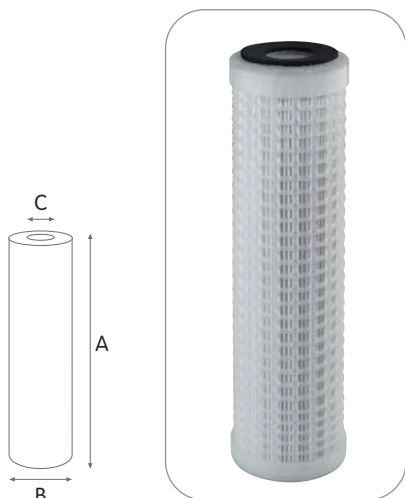
# AC pleated polypropylene-borosilicate

## Fine sediment filtration

**Average life-span:** 3-6 months.

**Maintenance:** none.

**Remark** - Use a pre-filter to protect the cartridge.



## WORKING CONDITIONS

Max working temperature \_\_\_\_\_ 85°C (185°F)

## SPECIFICATIONS

Non-toxic materials, suitable for drinking water.

Filter medium: polypropylene-borosilicate.

Inner core and end caps: polypropylene.

Flat seals SX: SEBS.

O-rings BX: EPDM.

Cartridges made of pleated polypropylene-borosilicate dual layer filter medium with extruded polypropylene outer cage, designed for fine and very fine particle filtration, with large filtering surface providing long service time, high water flow and low pressure drop, filtration at 0.45 and 0.2 micron. Height 10" and 20".

## AC SX

### PLEATED POLYPROPYLENE BOROSILICATE WITH DOUBLE OPEN END (DOE)

CODE	MODEL	NOMINAL HEIGHT	NOMINAL FILTRATION MICRON	NOMINAL FLOW/RATE l/h	DIMENSIONS MM		
					A	B	C
<b>OD 2,40" x ID 1,10"</b>							
RE5165101	AC 10 SX BS 0,2 mcr	10"	0,2	1000	250	70	30
RE5165102	AC 10 SX BS 0,45 mcr	10"	0,45	1000	250	70	30
RE5167101	AC 20 SX BS 0,2 mcr	20"	0,2	1800	505	70	30
RE5167102	AC 20 SX BS 0,45 mcr	20"	0,45	1800	505	70	30

## AC BX

### PLEATED POLYPROPYLENE BOROSILICATE WITH DOUBLE O RING COLLAR 45 MM

CODE	MODEL	NOMINAL HEIGHT	NOMINAL FILTRATION MICRON	NOMINAL FLOW/RATE l/h	DIMENSIONS MM		
					A	B	C
<b>OD 2,40" x ID 1,10"</b>							
RE5165201	AC 10 BX BS 0,2 mcr	10"	0,2	1000	250	70	25
RE5165202	AC 10 BX BS 0,45 mcr	10"	0,45	1000	250	70	25
RE5167201	AC 20 BX BS 0,2 mcr	20"	0,2	1800	505	70	25
RE5167202	AC 20 BX BS 0,45 mcr	20"	0,45	1800	505	70	25

AC cartridges are available in a variety of:

### CONFIGURATIONS:

- SX standard configuration double open end (DOE) available for every height and diameter.
- BX proprietary configuration with double o-ring collar 45 mm, suitable to PLUS 3P BX housings, DP housings, K PLUS 3P housings.

### MODELS:

- AC series 10" and 20" OD 2.40" ID 1.10", SX, BX configurations.

Variants available on minimum quantity:

- AC series with height 30", 40"
- AC-K series with polypropylene-borosilicate, polypropylene or polyester filter medium; polypropylene moulded armouring, inner core, end-caps; height 10", 20", 30", 40"; filter rates from 0.2 to 55 micron; SX, BX, P8, P7, C7 configurations.

## CERTIFICATIONS

**in compliance with italian regulation D.M. 174/2004**

AC cartridges are tested and certified under the most stringent procedures worldwide, achieving the **certification of compliance with DM 174/2004.**

### FLOW RATE vs PRESSURE DROP $\Delta p$

Tests carried on 10" elements type **AC 10 SX 0,45 mcr.**

Testing mode: 20°C, 3 BAR

