

2 way ball valve S6 hand operated



General:

- Material: PVC-U
- Sealing materials: EPDM / FPM
- Ball seating joint: PTFE / PE
- Dimensions: DN10 – DN80
d16 – d110
d3/8" – d4"

Connector types:

- Solvent socket DIN / ASTM / JIS
- Solvent spigot DIN
- Threaded socket BSP / NPT
- PE fusion spigot DIN
- PE fusion socket DIN

Operating pressure:

PVC	DN10 – DN80 d110	PN16
PE	DN10 – DN80 d90	PN16
PE	DN80 d110	PN10

Technical features:

- Radial installation or removal
- Double sided blocked ball
- Adjustable ball seating joint
- High durability because of PTFE or PE ball seating joint
- Maintenance free operation
- Double axle gasket
- Very easy handling and service because of:
 - Variable connector types
 - Demounting, mounting, dismantling and assembly without any additional tools

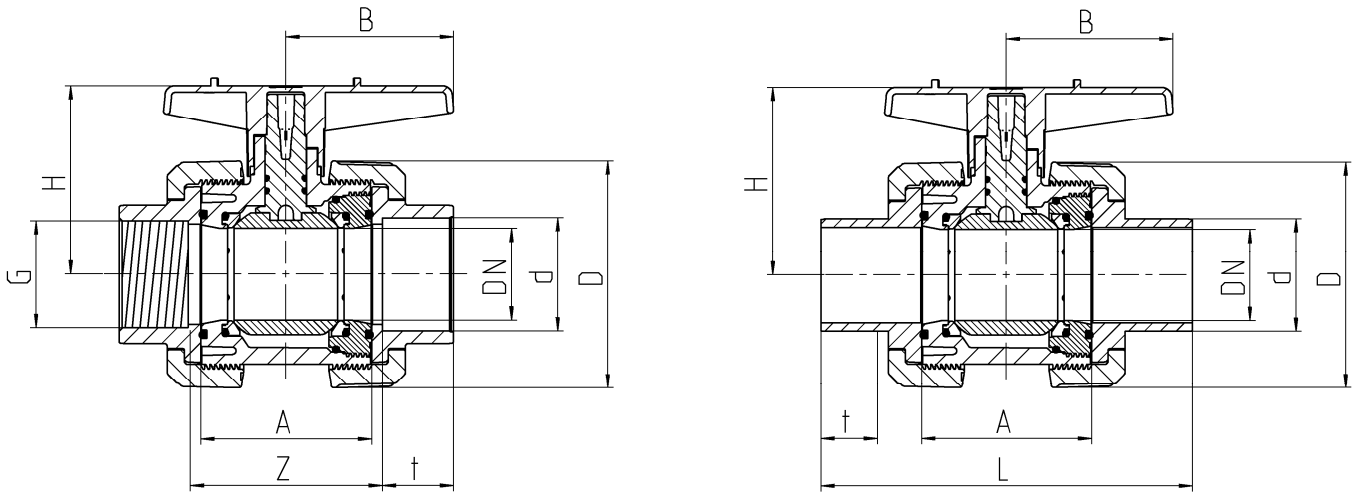
This document does not constitute a guarantee, it is for initial information purposes only. The product range is continually upgraded, the designs and types therefore only reflect the state of the art at the time of printing. Subject to technical modifications!



2 way ball valve S6 hand operated



Dimensions:



PVC-U

Connector types

PVC solvent socket / solvent spigot / threaded socket

PE fusion socket / fusion spigot

DN	10	15	20	25	32	40	50	65	80	80
d	16	20	25	32	40	50	63	75	90	110
G ^{TSO1}	3/8"	1/2"	3/4"	1"	1 1/4"	1 1/2"	2"	2 1/2"	3"	4"
A	44,5	44,5	50	52,5	61	77	87	110	136	136
B	42,5	42,5	55	55	65	75	75	111	133,5	133,5
D	55,5	55,5	62	70	87	101,5	115,5	144,5	180,5	180,5
H	47	47	53	55,5	76	88,5	98	126	150,5	150,5
t ^{SSO2}	16,5	16,5	19,5	22,5	26,5	31,5	38,5	45	56,5	61
t ^{SSP3}	17	17	20	22,5	26,5	31,5	38,5	45	54	-
t ^{FSP4 PE}	13	14,5	15,5	18,5	15,5	29	31	32	30	-
t ^{FSO5 PE}	14,5	16	17	19,5	22	25	29	31,5	38	42
Z ^{SSO2}	51	49	56	58	68	85	98	121	153	162
Z ^{TSO1}	50	50	57	60	67	86	98	123	156	-
Z ^{FSO5 PE}	54	51	60	64	75	97	115	138	182	186
L ^{SSP3}	98	107	125	133	151	176	201	260	297	-
L ^{FSP4 PE}	95	105	123	130	119	162	175	226	266	-
PN _{PVC}	16	16	16	16	16	16	16	16	16	16
PN _{PE}	16	16	16	16	16	16	16	16	16	10

Dimensions in mm

¹ TSO = threaded socket

⁴ FSP = fusion spigot

² SSO = solvent socket

⁵ FSO = fusion socket

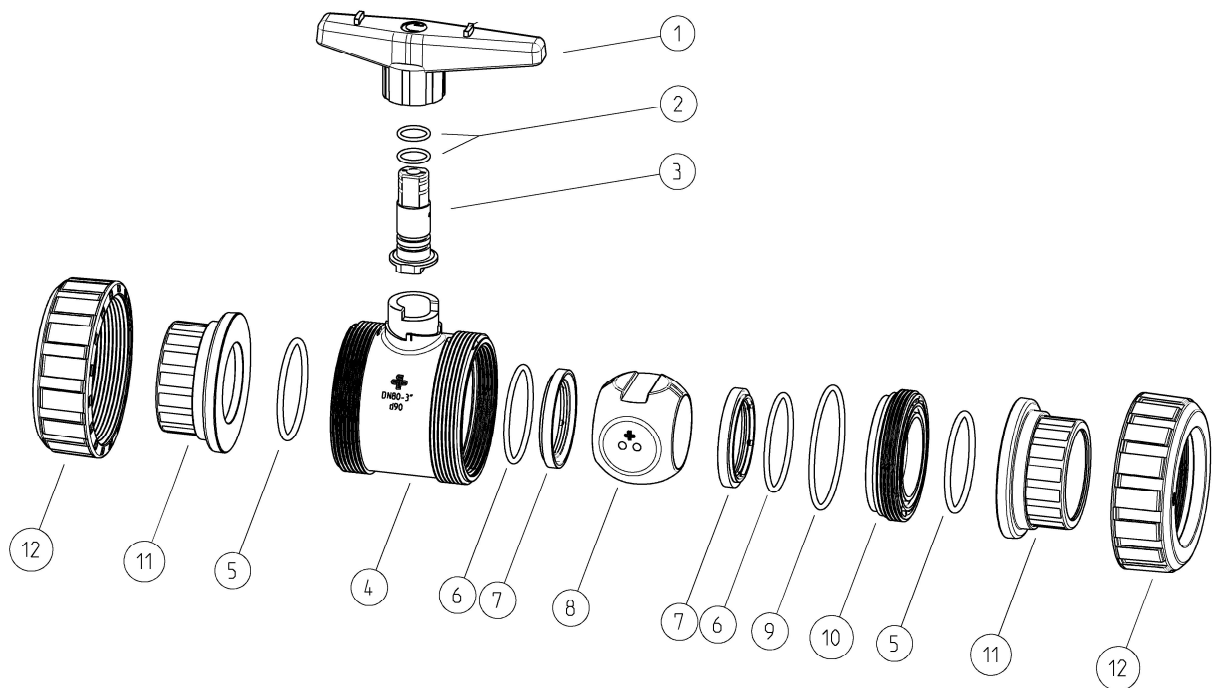
³ SSP = solvent spigot

- = currently not realized

2 way ball valve S6 hand operated

Exploded drawing:

- 01. Handle
- 02. O-Ring
- 03. Shaft
- 04. Body
- 05. O-Ring
- 06. O-Ring (only at DN80)
- 07. Ball seating joint
- 08. Ball
- 09. O-Ring
- 10. Thrust collar
- 11. Connector types
solvent socket /-spigot
threaded socket
fusion socket /-spigot
- 12. Union nut

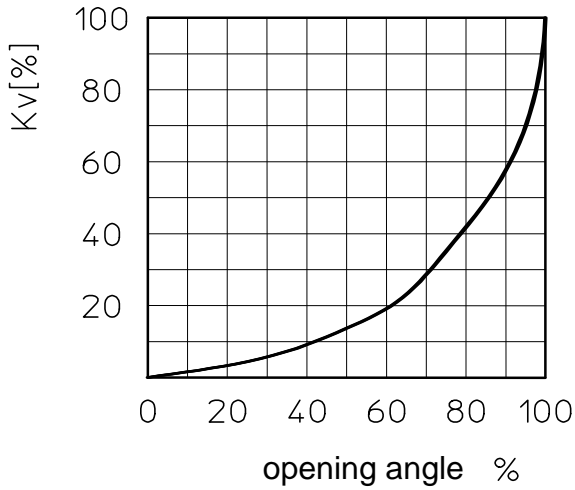


2 way ball valve S6 hand operated

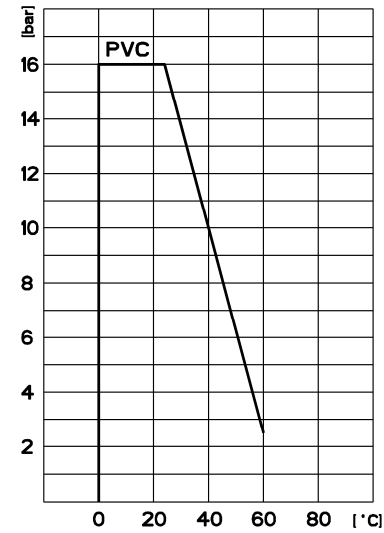


Diagrams:

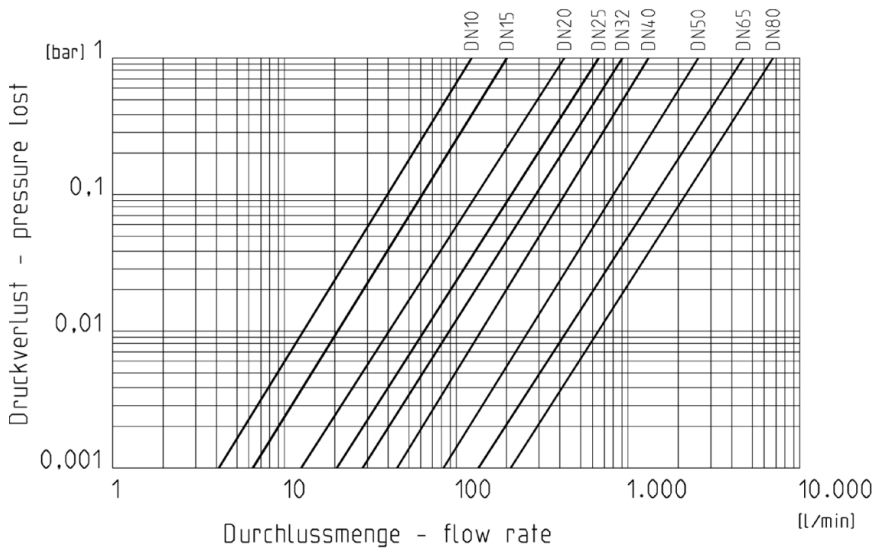
Flow characteristics



Pressure – Temperature – Diagram



Pressure loss diagram



Cv value table

Pressure loss	DN10	DN15	DN20	DN25	DN32	DN40	DN50	DN65	DN80
0,001 bar	4,1	6,3	13,3	20,5	28,4	44,2	82,2	143,8	212,5
1 bar	130	200	420	650	900	1400	2600	4550	6720

l/min